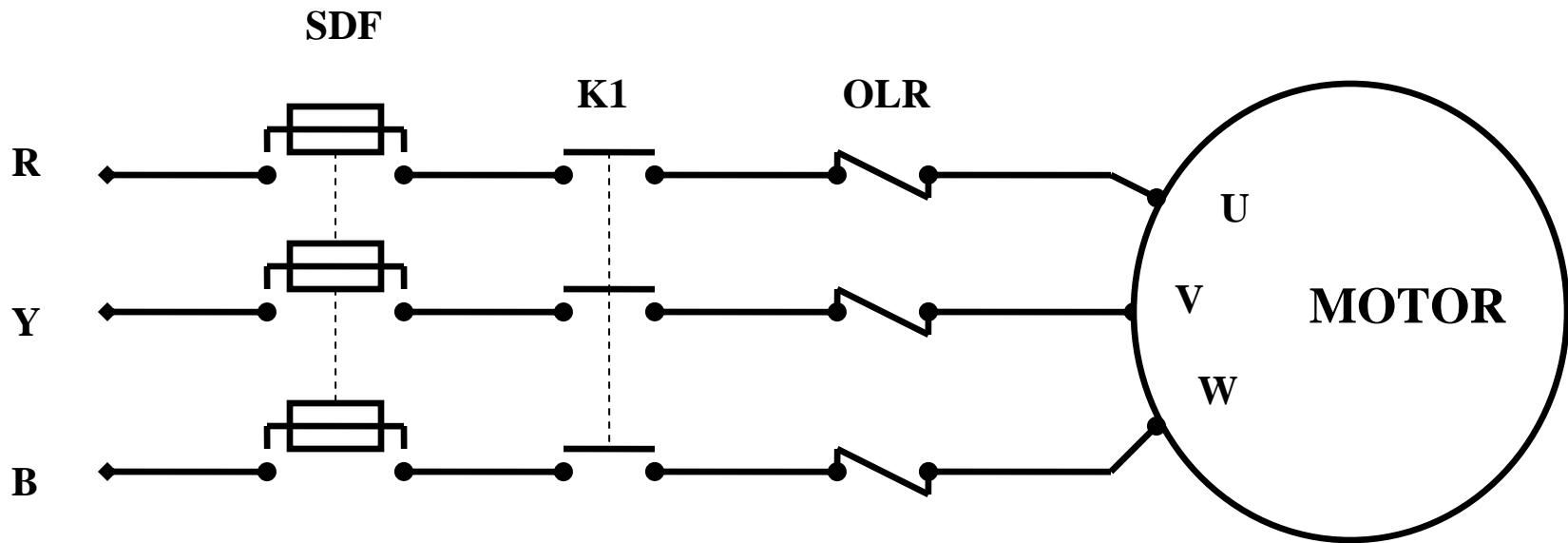
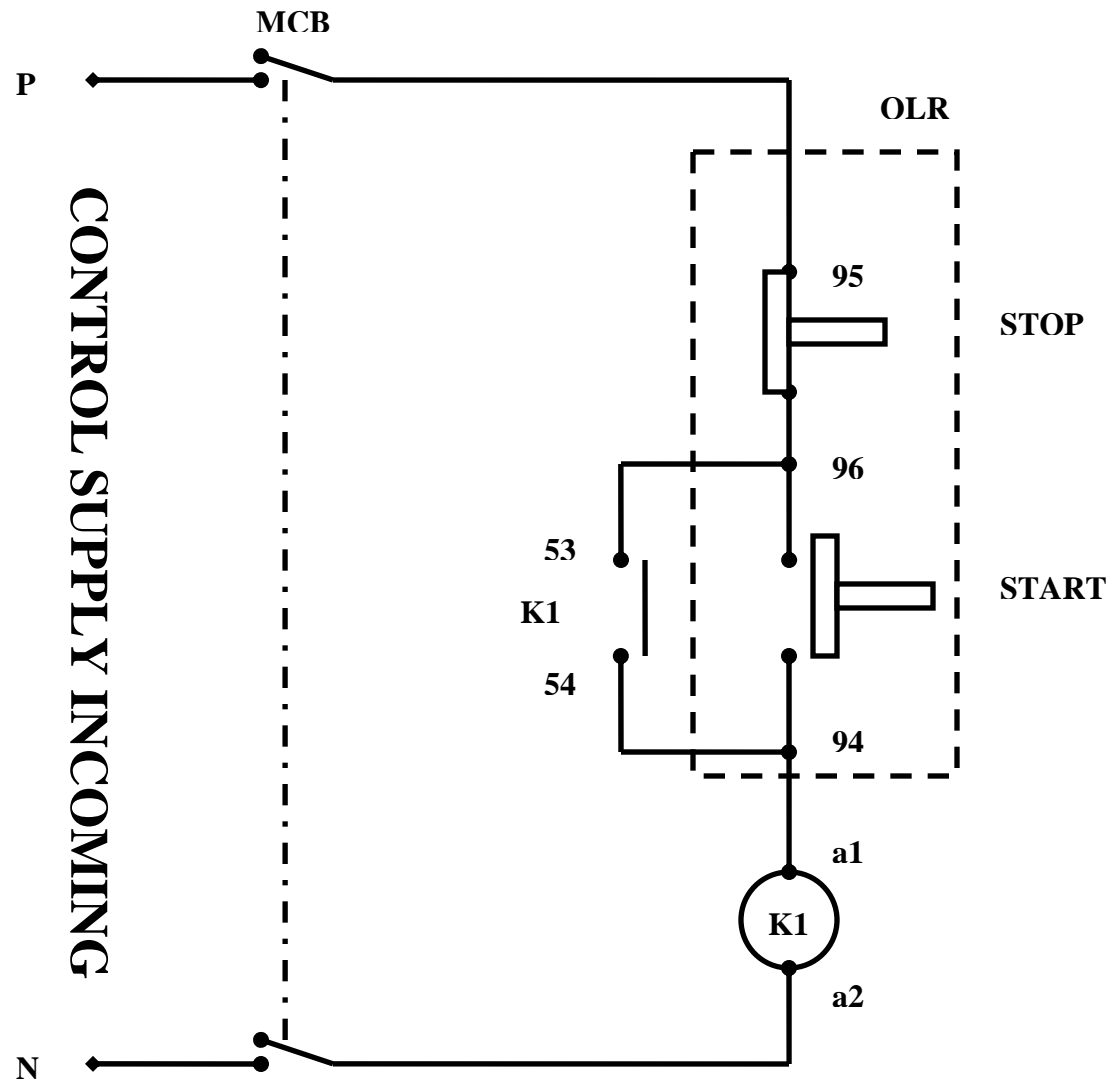


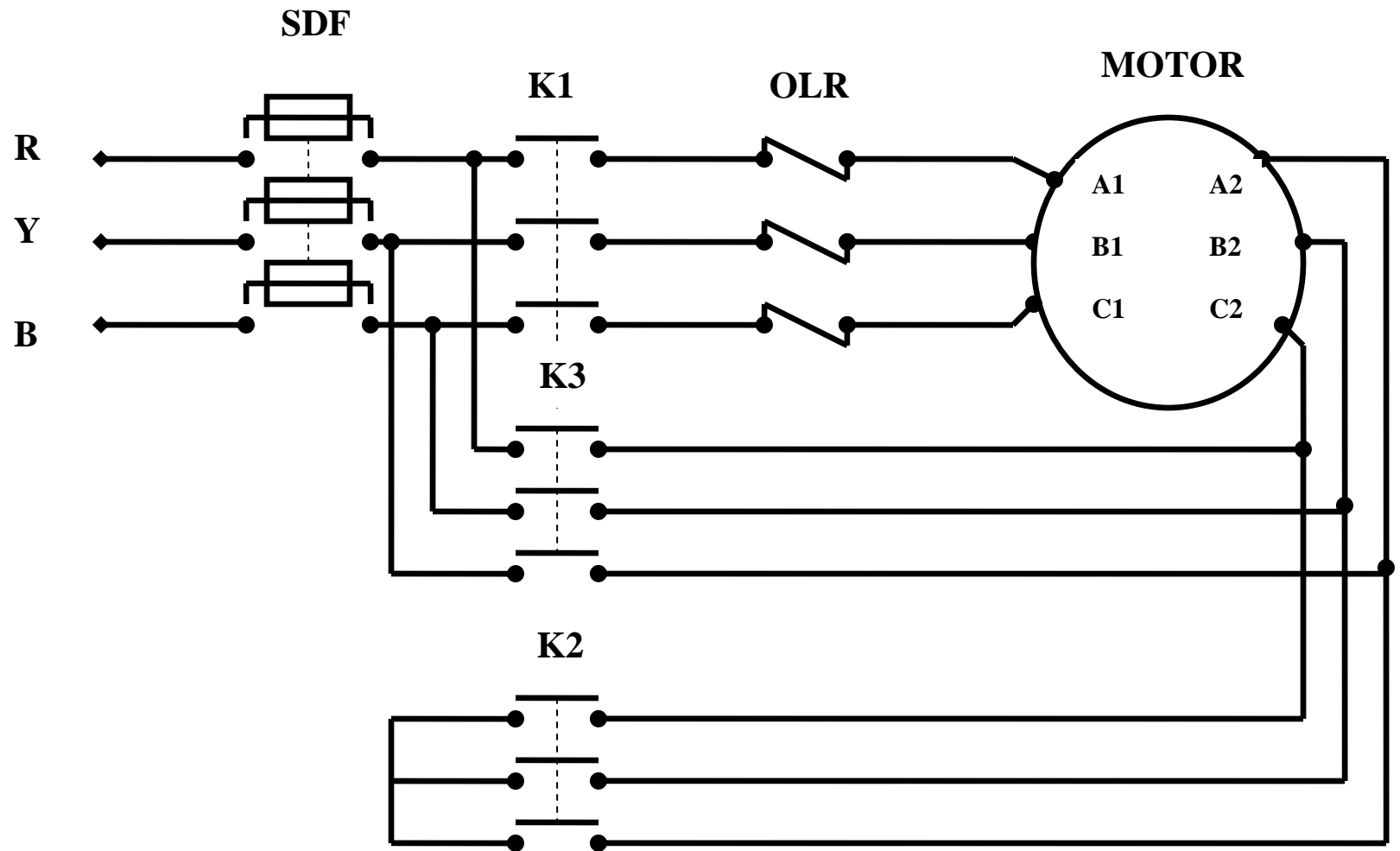
STARTER SCHEMATIC DIAGRAMS



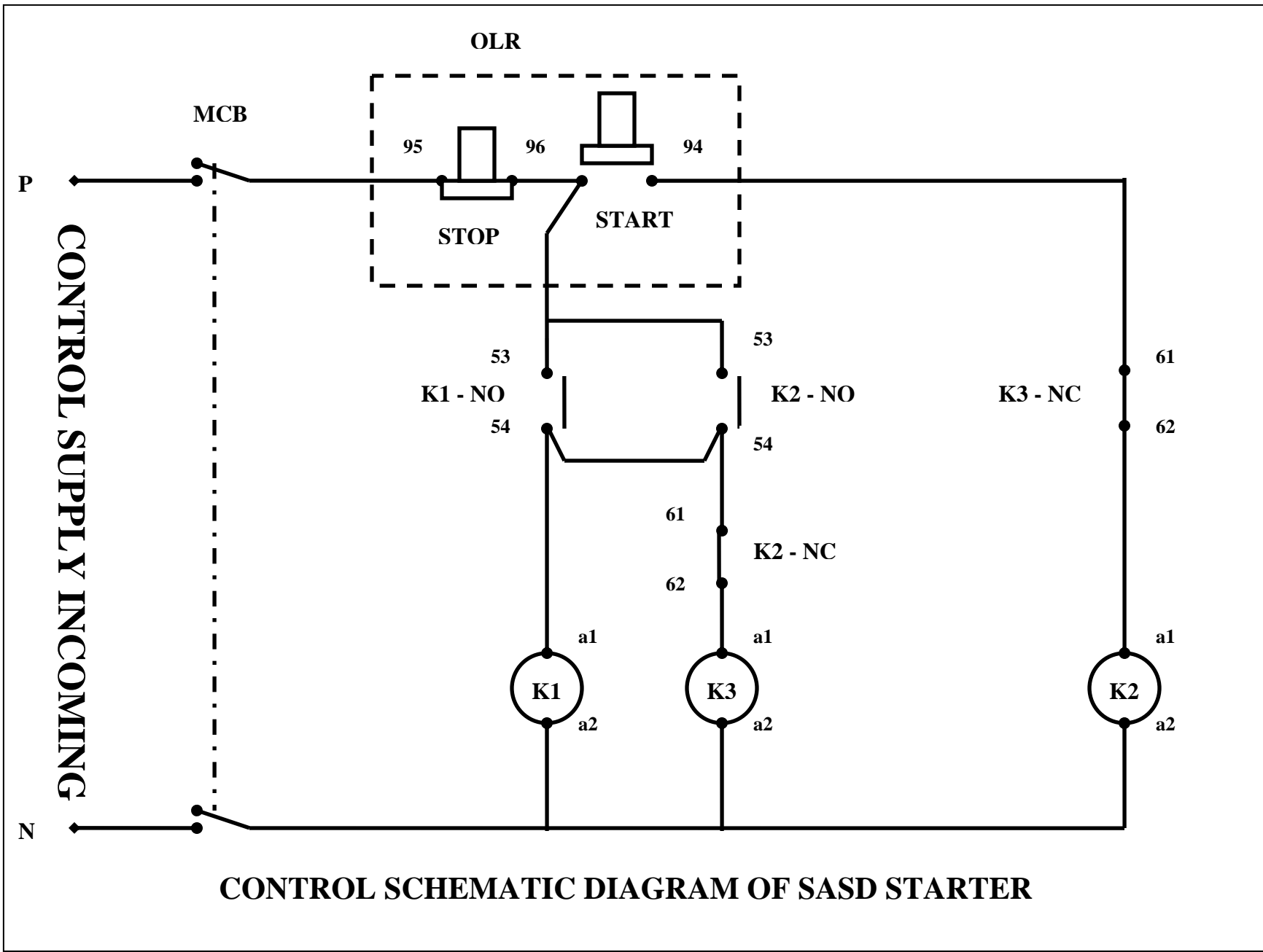
POWER SCHEMATIC DIAGRAM OF DIRECT-ON-LINE STARTER



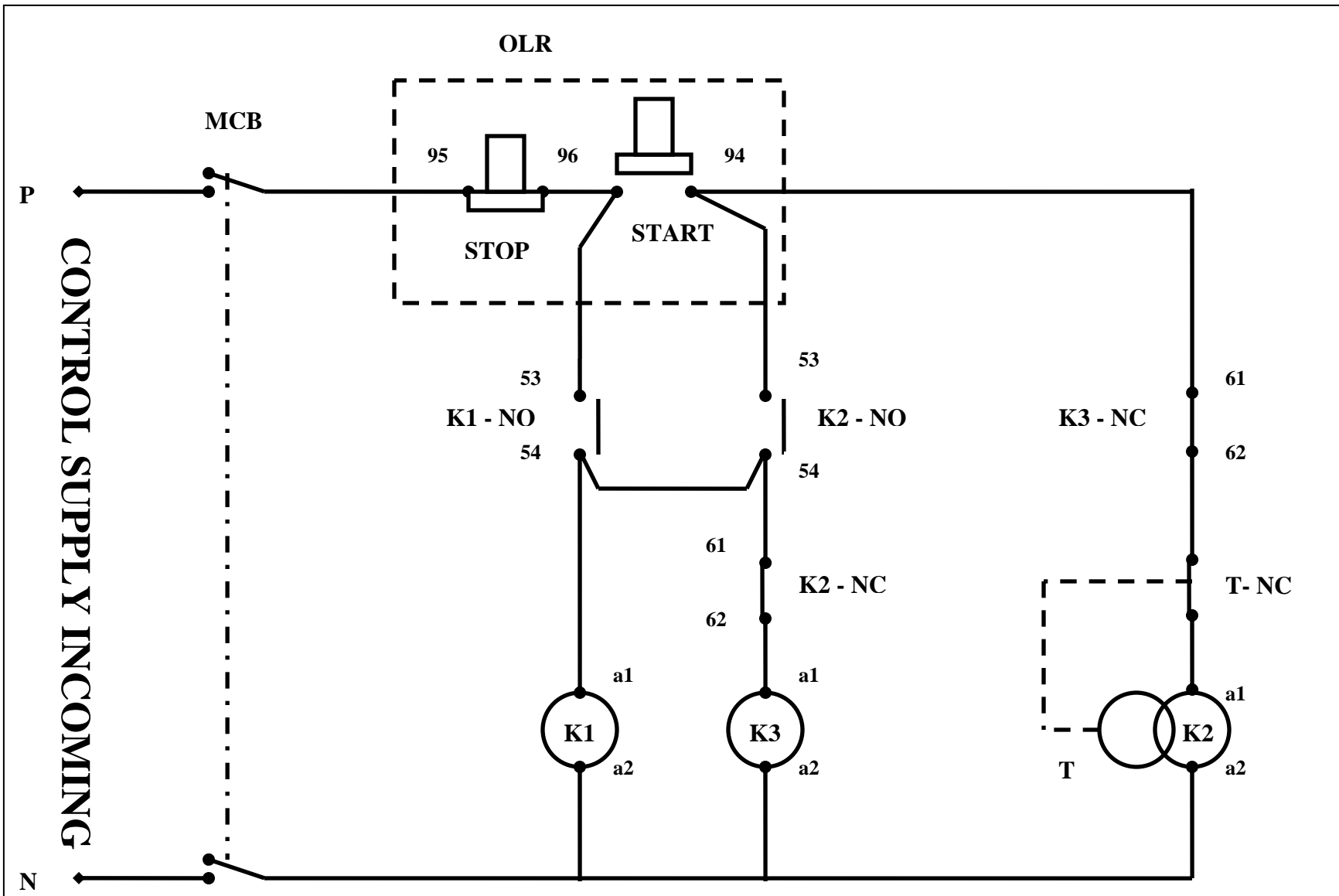
CONTROL SCHEMATIC DIAGRAM OF DIRECT-ON-LINE STARTER



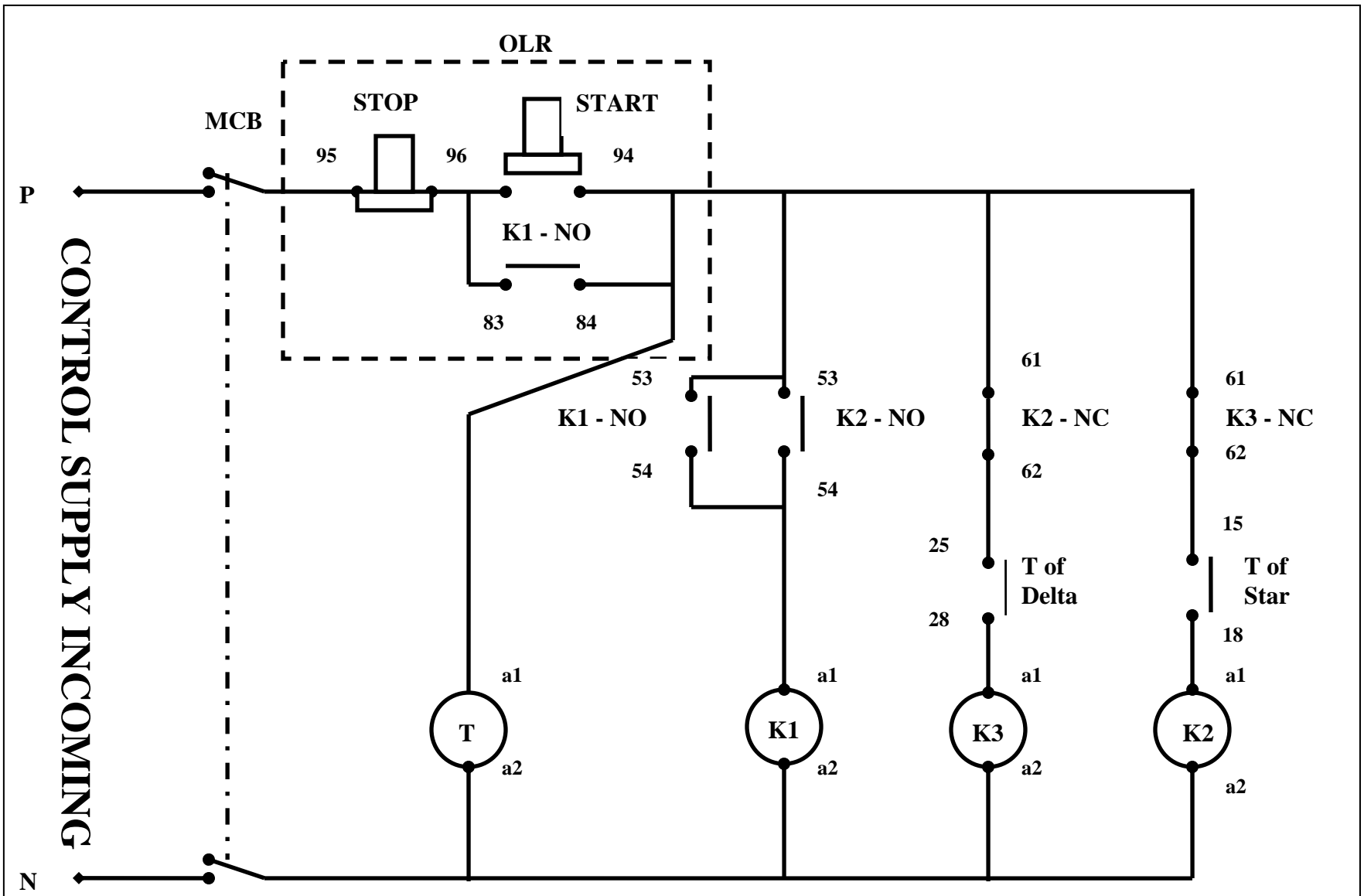
POWER SCHEMATIC DIAGRAM OF STAR-DELTA STARTER



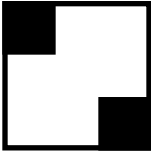

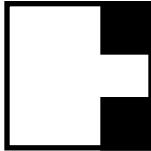
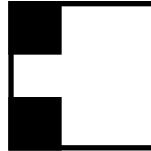
CONTROL SCHEMATIC DIAGRAM OF SASD STARTER



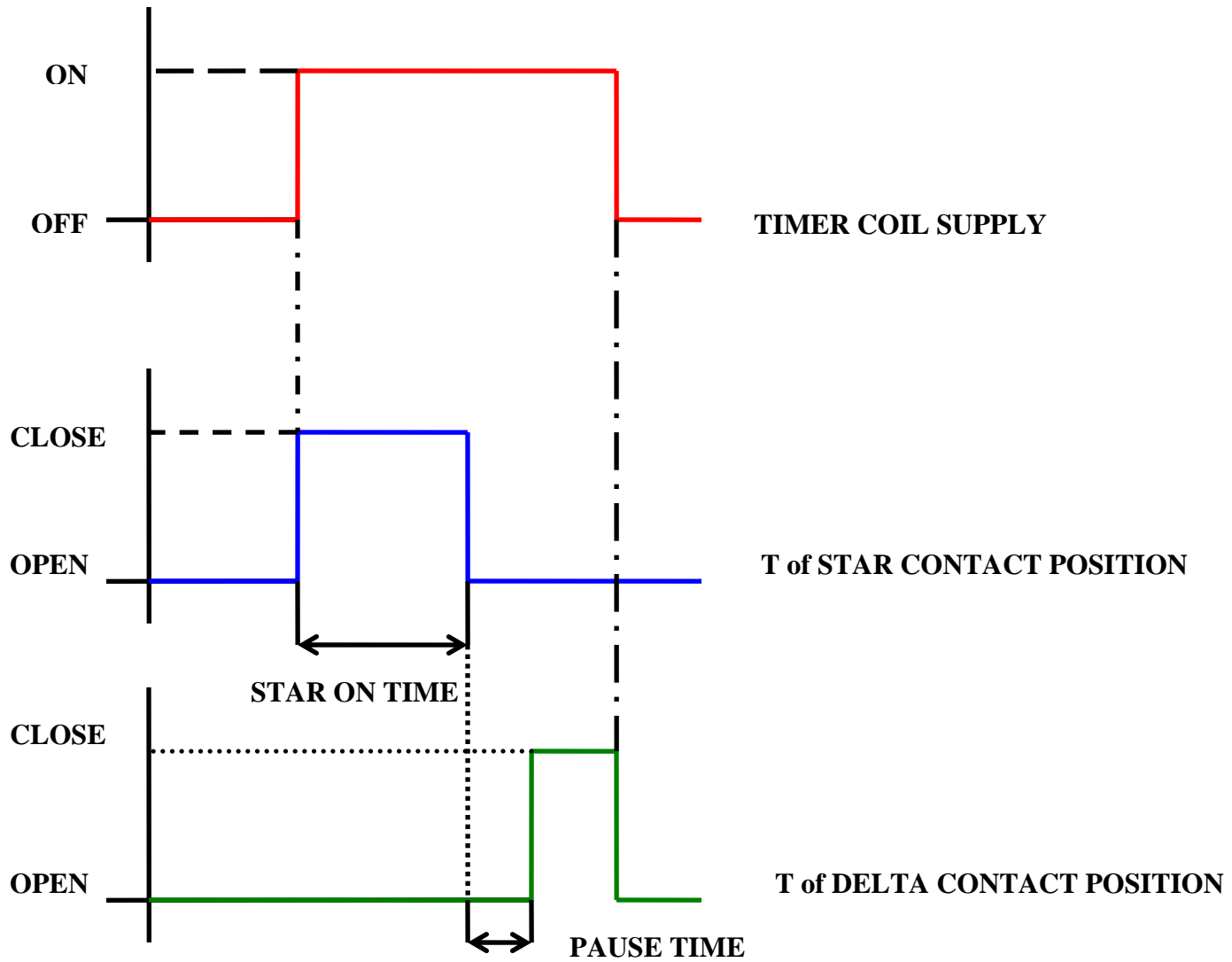
CONTROL SCHEMATIC DIAGRAM OF FASD STARTER (CLOSED TRANSITION) WITH THERMAL TIMER



CONTROL SCHEMATIC DIAGRAM OF FASD STARTER (OPEN TRANSITION) WITH STAR-DELTA TIMER

	Position 1	Position 2	Position 3	Position 4
DIP Switch Positions				
Pause Time	60ms	140ms	140ms	60ms
Delay Time Range (Star ON Time)	30 sec.	60 sec.	30 sec.	60 sec.

STAR-DELTA TIMER SETTINGS



STAR-DELTA TIMER OPERATING LOGIC

