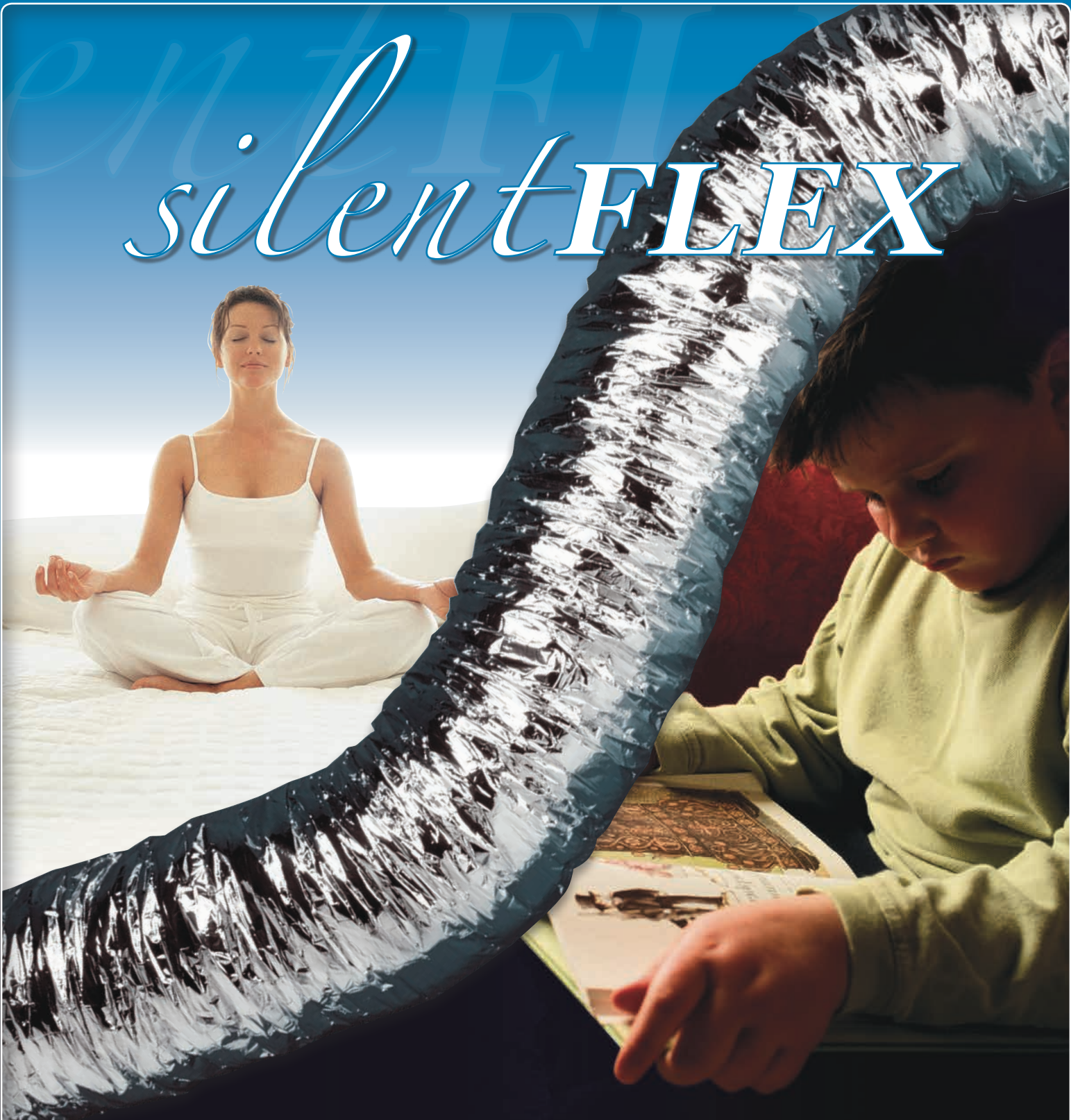


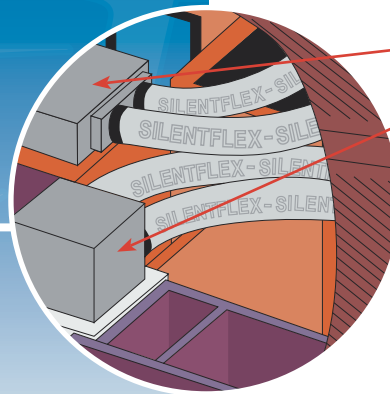
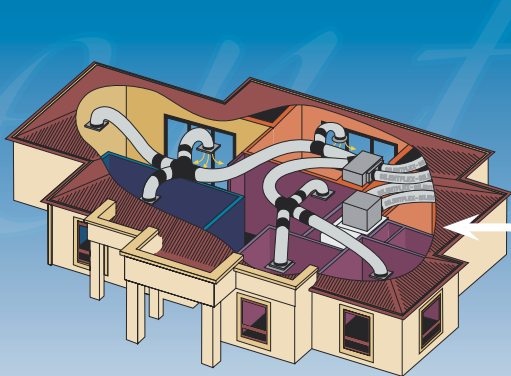
SILENTFLEX

# *silent***FLEX**



***Insulated flexible duct with millions  
of tiny perforations to reduce noise***

## SILENTFLEX



- AIR CONDITIONING UNIT
- RETURN AIR

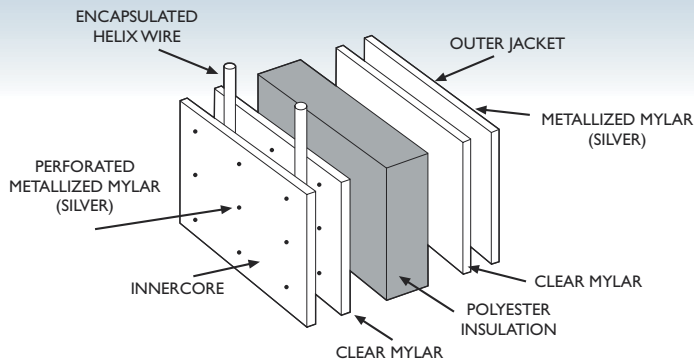
### Sizes

Silentflex is available in two insulation thicknesses:

- 25mm
- 50mm

Sizes: 150/200/250/300/350/400/450/500/550mm

Length: 6 metres



### Construction

4 layers of mylar, the two inner layers perforated.

Encapsulated helix wire for shape holding and strength.

(Copper coated steel for corrosion resistance)

Centre core of non allergenic polyester insulation. (25 or 50mm)

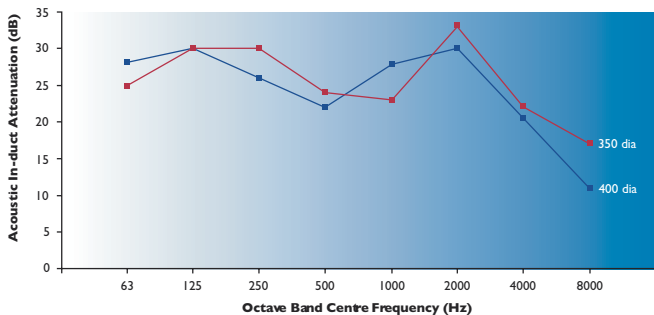
### Uses

Used in all good quality return air installations to reduce ambient noise from airflow and the air conditioning unit.

Especially effective in larger unit applications. Often doubled for increased airflow with minimal rise in noise levels. Also used in any duct application where noise dampening is required.

### Features

Millions of tiny perforations create a baffling effect and reduce the noise transmitted down the duct to produce a quieter more unobtrusive A/C application. Less noise means a quieter, better home environment



## POLYAIRE SALES OFFICES

### New South Wales

[sales.nsw@polyaire.com.au](mailto:sales.nsw@polyaire.com.au)

Unit 2/167 Prospect Hwy  
SEVEN HILLS NSW 2147  
Ph: (02) 8811 1333  
Fax: (02) 9620 8088

Unit 2/6 Church Road  
MOOREBANK NSW 2170  
Ph: (02) 9600 8799  
Fax: (02) 9600 8115

Unit 10/33 Maddox Street  
ALEXANDRIA NSW 2015  
Ph: (02) 9557 6948  
Fax: (02) 9557 6954

70 Mitchell Road  
CARDIFF NSW 2285  
Ph: (02) 4954 6677  
Fax: (02) 4954 6033

22 Schiller Street  
WAGGA WAGGA NSW 2650  
Ph: (02) 6921 7606  
Fax: (02) 6921 1987

4 Young Street  
DUBBO NSW 2830  
Ph: (02) 6884 4328  
Fax: (02) 6884 4362

### ACT

Unit 17/1 Pirie Street  
FYSHWICK ACT 2609  
Ph: (02) 6126 3600  
Fax: (02) 6228 1338

### Queensland

[sales.qld@polyaire.com.au](mailto:sales.qld@polyaire.com.au)

81-89 Northlink Place  
VIRGINIA QLD 4014  
Ph: (07) 3866 8700  
Fax: (07) 3256 8718

3/60 Dulacca Street  
ACACIA RIDGE QLD 4110  
Ph: (07) 3273 8043  
Fax: (07) 3273 6104

2/3 Anisar Court  
MOLENDINAR QLD 4214  
Ph: (07) 5656 1900  
Fax: (07) 5597 5985

### South Australia

[sales.sa@polyaire.com.au](mailto:sales.sa@polyaire.com.au)

11-13 White Road  
GEPPTS CROSS SA 5094  
Ph: (08) 8349 5959  
Fax: (08) 8349 6659

1590 Main North Road  
BRAHMA LODGE SA 5109  
Ph: (08) 8182 3347  
Fax: (08) 8182 3348

9 Somerset Circuit  
LONSDALE SA 5160  
Ph: (08) 8326 7063  
Fax: (08) 8186 1069

### Western Australia

[sales.wa@polyaire.com.au](mailto:sales.wa@polyaire.com.au)

1 Booth Place  
BALCATTWA WA 6021  
Ph: (08) 6241 0555  
Fax: (08) 9240 1484

15 Opportunity Street  
WANGARA WA 6065  
Ph: (08) 9303 4506  
Fax: (08) 9302 5420

### Victoria

[sales.vic@polyaire.com.au](mailto:sales.vic@polyaire.com.au)

76 Northgate Drive  
THOMASTOWN VIC 3074  
Ph: (03) 9465 8022  
Fax: (03) 9465 5484

44-48 Ordish Road  
DANDENONG STH VIC 3175  
Ph: (03) 9793 1611  
Fax: (03) 9792 0501

1 Grace Court  
SUNSHINE WEST VIC 3020  
Ph: (03) 9311 5679  
Fax: (03) 9311 9571

106 Barwon Terrace  
SOUTH GEELONG VIC 3220  
Ph: (03) 5221 7644  
Fax: (03) 5221 8299

6/100 New Street  
RINGWOOD VIC 3134  
Ph: (03) 9876 0633  
Fax: (03) 9879 2233

### Polyaire Head Office

[enquiries@polyaire.com.au](mailto:enquiries@polyaire.com.au)

11-13 White Rd  
GEPPTS CROSS SA 5094  
Ph: (08) 8349 8466  
Fax: (08) 8349 8446

### United Kingdom

Unit 9, Baron Avenue  
Telford Way Industrial Estate  
Kettering, Northants  
ENGLAND NN16 8UW  
Ph: 01536 519 922  
Fax: 01536 519 949

### Asia

102, Jalan Dua, Kawasan  
Perindustrian Olak Lempit  
42700 Banting, Selangor  
WEST MALAYSIA  
Ph: +603 3149 4100  
Fax: +603 3149 4101